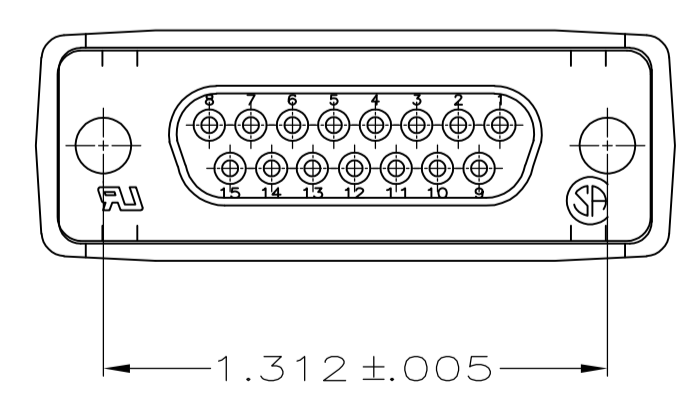
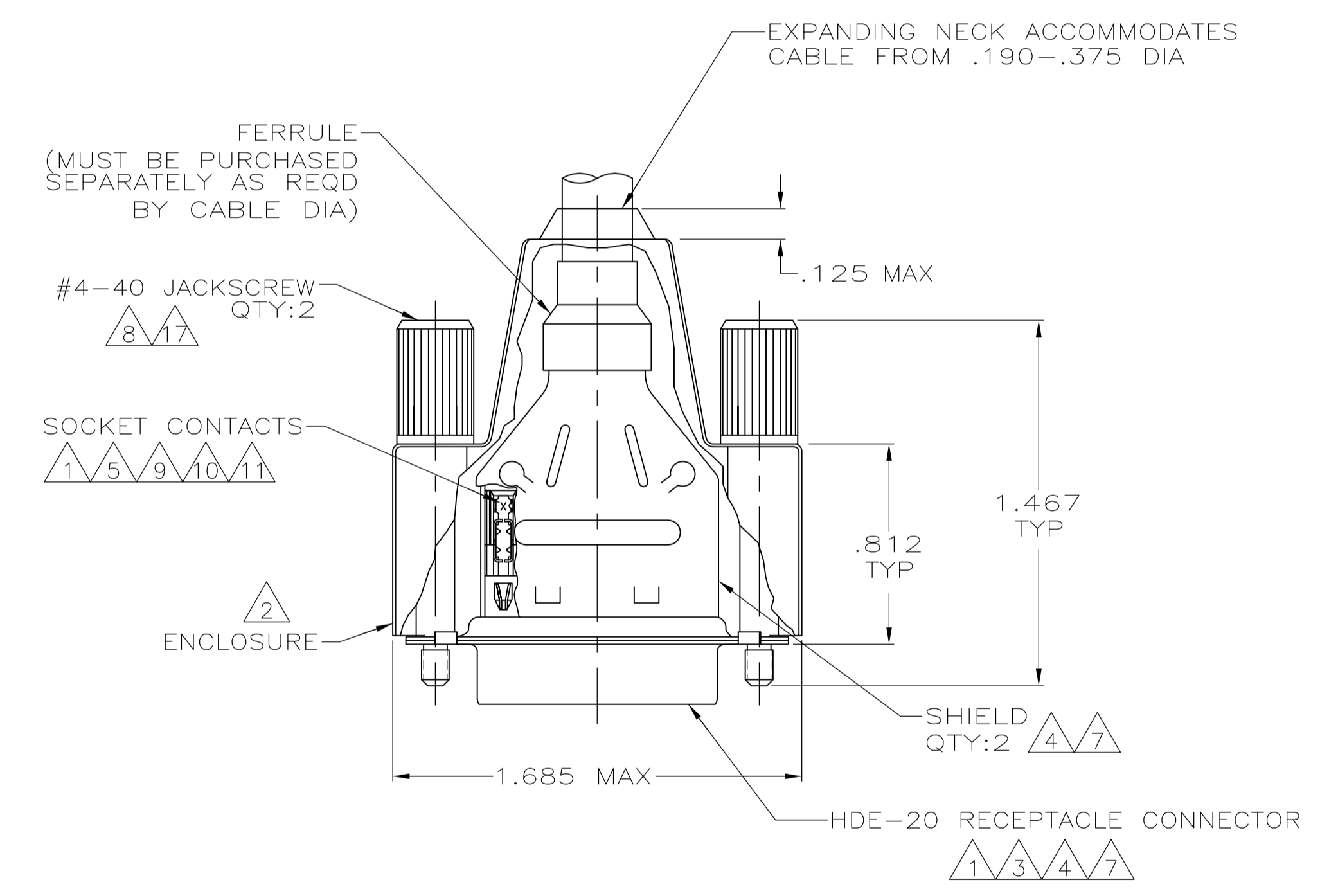
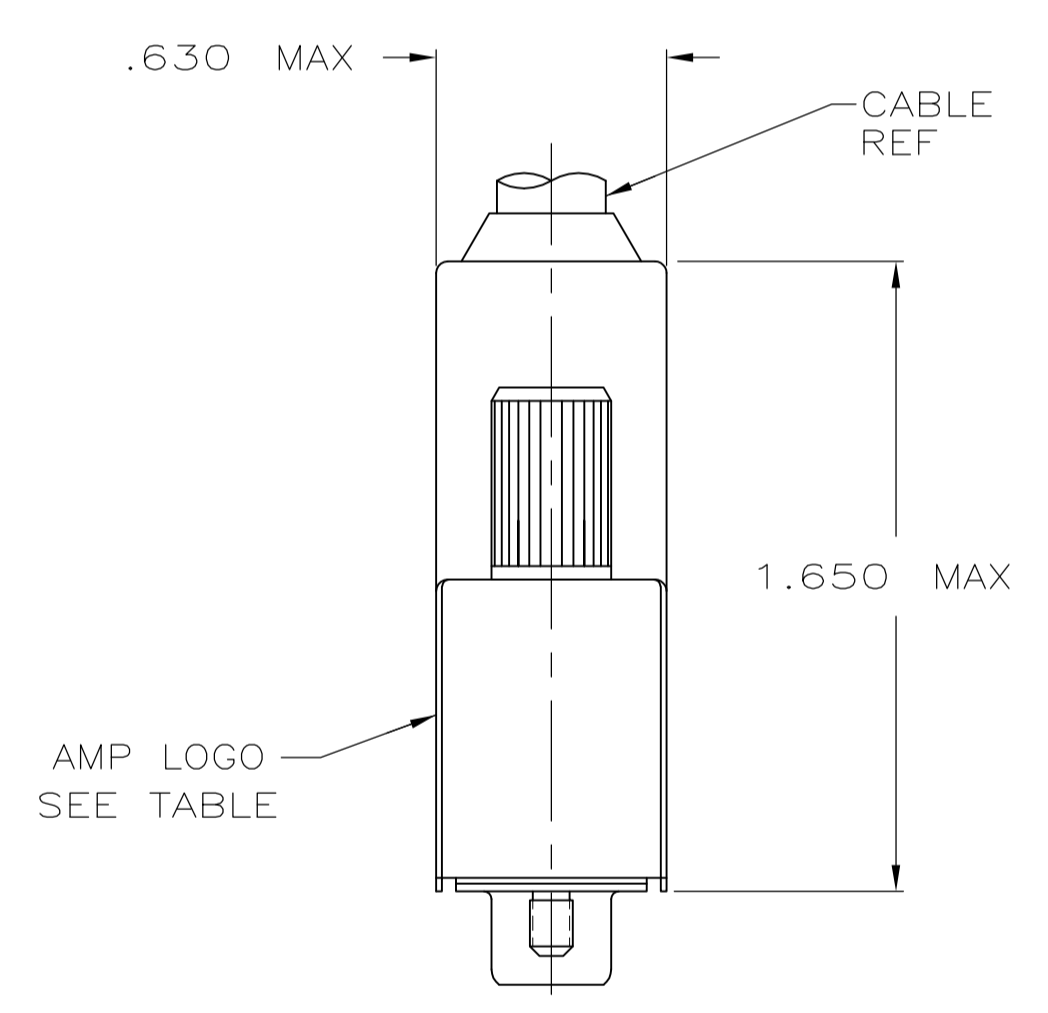


LOC		DIST		REVISIONS			
REV	DATE	DESCRIPTION	DATE	BY	APPV		
Z		REVISED PER ECO-13-017159	20DEC2013	KH	SB		

- 1 RECEPTACLE CONNECTOR FULLY LOADED WITH CONTACTS. ALL OTHER PARTS ARE SHIPPED UNASSEMBLED. EACH PART INDIVIDUALLY BULK PACKED.
- 2 FLAME RETARDANT 94V-0 RATED, POLYOLEFIN OR PVC, BLACK.
- 3 FLAME RETARDANT 94V-0 RATED, GLASS-FILLED, NYLON OR POLYESTER, BLACK.
- 4 STEEL PER ASTM A109.
- 5 PHOSPHOR BRONZE PER QQ-B-750.
- 6 GOLD PLATING PER MIL-G-45204, NICKEL PLATING PER QQ-N-290, TIN PLATING PER MIL-T-10727, ZINC PLATING PER B633, TYPE II, CLASS SCI, BLACK CHROMATE.
- 7 TIN PLATED.
- 8 ZINC NICKEL, TRIVALENT BLACK.
- 9 PLATED WITH GOLD FLASH ON MATING END FOR LENGTH OF .100 MIN, .000100-.000200 TIN OR TIN LEAD ON TERMINATION END, ALL OVER .000030 MIN NICKEL ON ENTIRE CONTACT.
- 10 PLATED WITH .000030 GOLD FOR LENGTH OF .100 MIN FROM MATING END, WITH POINT OF MEASUREMENT .050 FROM MATING END OF CONTACT, .000100-.000200 TIN OR TIN LEAD ON TERMINATION END, ALL OVER .000030 MIN NICKEL ON ENTIRE CONTACT.
- 11 NUMBER ON CONTACT INDICATES WIRE RANGE.
- 12 OBSOLETE PART NUMBER.
- 13 SEE RESTRICTED CUSTOMER DRAWING 1-747945-3.
- 14 CONTACTS SELECTIVELY LOADED IN POSITIONS 2,3,5,6,9,10,12, & 13.
- 15 PLATED WITH .000030 GOLD FOR LENGTH OF .100 MIN FROM MATING END, .000100-.000200 TIN ON TERMINATION END, ALL OVER .000050 MIN NICKEL UNDERPLATE ON ENTIRE CONTACT.
- 16 PLATED WITH GOLD FLASH FOR A LENGTH OF .100 MIN FROM MATING END, .000100-.000200 TIN ON TERMINATION END, ALL OVER .000030 MIN NICKEL UNDERPLATE ON ENTIRE CONTACT.
- 17 CARBON STEEL, C1022.



REV	DESCRIPTION	DATE	BY	APPV	PART NUMBER
16	YES	2	22-26	12	1-747945-6
15	YES	1	26-30		1-747945-5
9	YES	2	22-26	13, 12	1-747945-4
				13, 12	1-747945-3
9	NO	3	20-22	12	1-747945-2
	NO	2	22-26	12	1-747945-1
	NO	1	26-30	12	1-747945-0
10	NO	3	20-22	12	747945-9
	NO	2	22-26	12	747945-8
	NO	1	26-30	12	747945-7
9	YES	3	20-22	12	747945-6
	YES	2	22-26	12	747945-5
	YES	1	26-30	12	747945-4
10	YES	3	20-22	12	747945-3
	YES	2	22-26	12	747945-2
	YES	1	26-30	12	747945-1
CONTACT FINISH	LOGO	17	WIRE RANGE		PART NUMBER

THIS DRAWING IS A CONTROLLED DOCUMENT.

DIMENSIONS: INCHES

TOLERANCES UNLESS OTHERWISE SPECIFIED:

0 PLC	± .005
1 PLC	± .002
2 PLC	± .001
3 PLC	± .0005
4 PLC	± .0002
ANGLES	± .005

MATERIAL: 2, 3, 4, 5, 17

FINISH: 6, 7, 8

APPROVED: L. VARELA - DOCKS (11-17-04), J. GERACE (11-17-04), M. WALMSLEY (11-17-04)

NAME: M. WALMSLEY

PRODUCT SPEC: SHIELDING ENCLOSURE KIT, RCPT, SIZE 2, 15 POSN, AMPLIMITE HDE-20

APPLICATION SPEC: 114-40002

SIZE: A1

WEIGHT: 00779

CUSTOMER DRAWING: 747945

SCALE: 2:1

SHEET: 1 OF 1

REV: Z

STE TE Connectivity